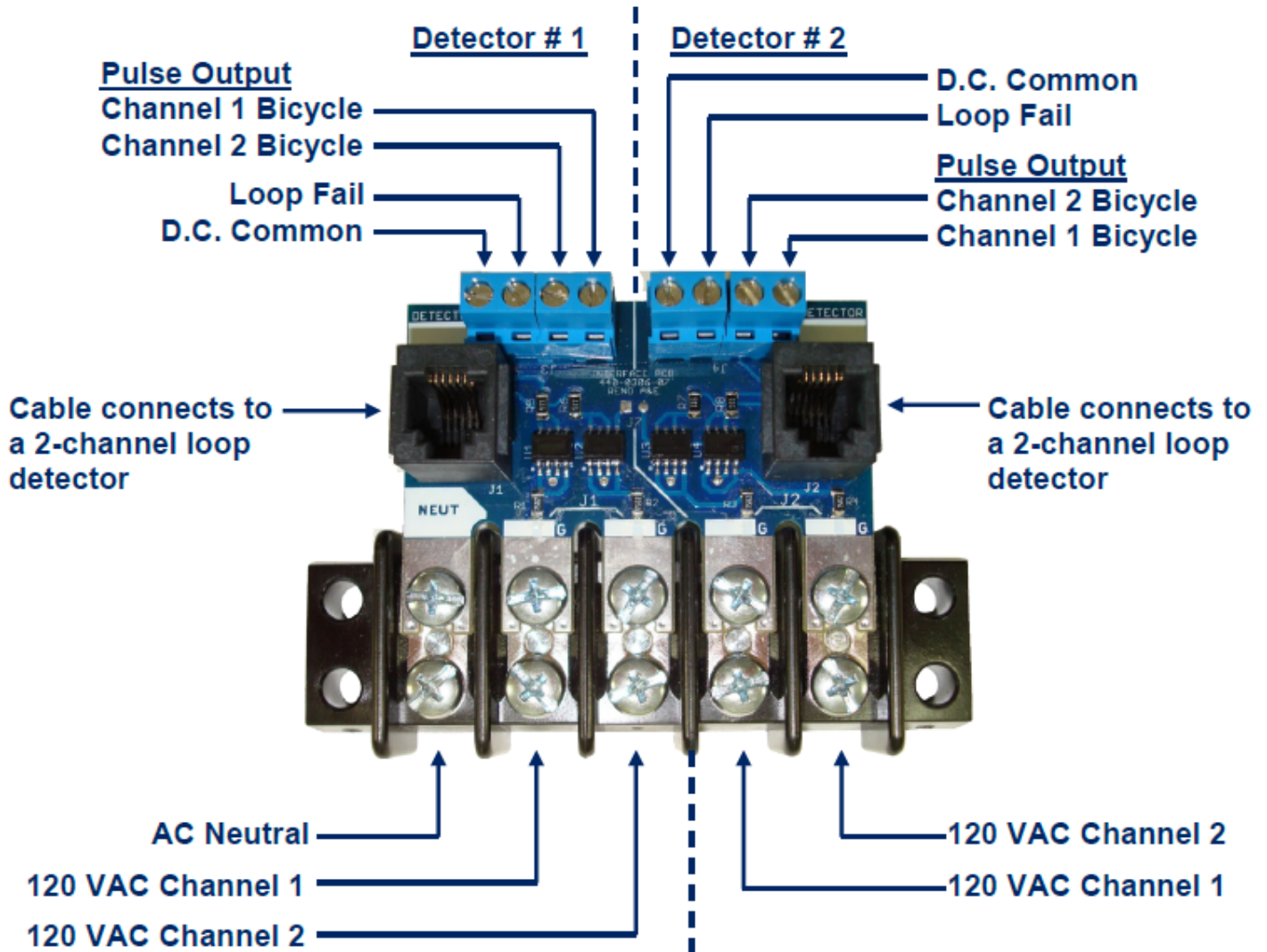


# Model PGI

## Phase Green Interface Module

Provides Phase Green Inputs for 2 Model C Detectors



The Reno A&E Phase Green Interface module converts 120 VAC signals to low voltage logic inputs required for the Model C-1101-B Bicycle Detector. The Phase Green Interface module provides electrical connections to the detector's bicycle pulse output.