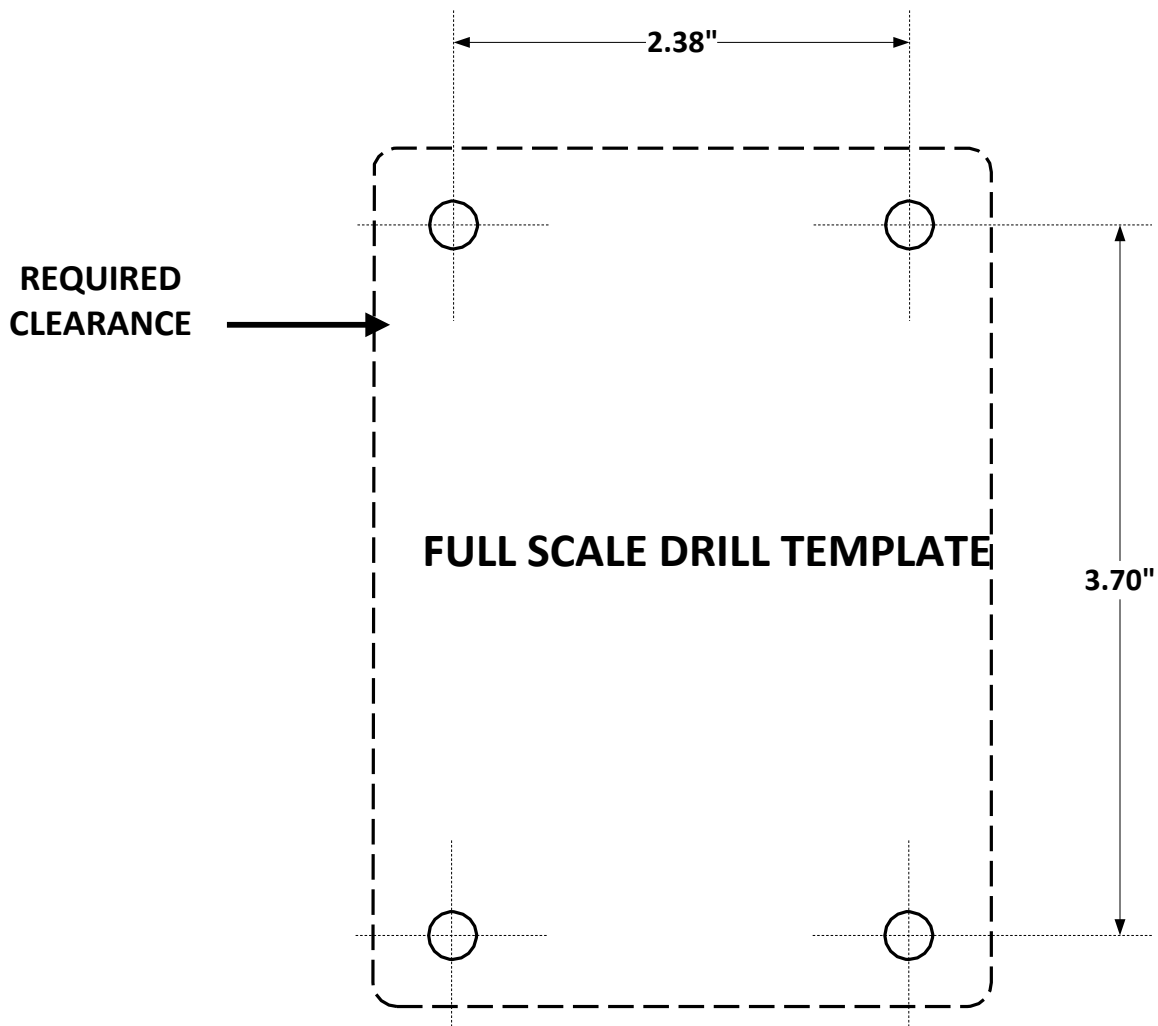


# MODEL **M-1-AT**

## **SINGLE CARD DETECTOR RACK INSTALLATION INSTRUCTIONS**



Use this template to locate and drill holes for hardware up to 1/4" diameter.